

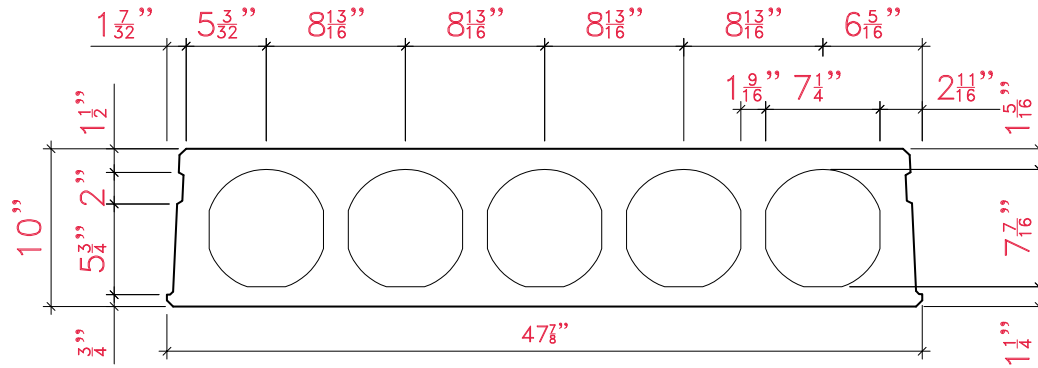


# Mid-States Concrete Industries

total precast CROSS SECTION & STRAND CONFIGURATIONS

10"X48" HOLLOWCORE

CROSS SECTION



NOTES:

## STRAND CONFIGURATIONS

FOR INFORMATIONAL PURPOSES ONLY



1.75-67  
1.75-68  
1.75-28+410



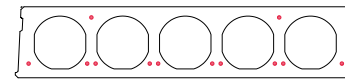
1.75-67+TC27  
1.75-67+TP27  
1.75-68+TC27  
1.75-68+TP27  
1.75-28+410TC27  
1.75-28+410TP27  
1.75-28+410TP28



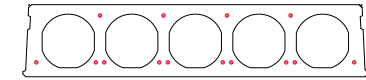
1.75-67+TP47  
1.75-68+TP47  
1.75-28+410TP47



1.75-28+810  
1.75-68+410  
1.75-108



1.75-68+410TP28  
1.75-108+TC27  
1.75-108+TP27  
1.75-108+TP28



1.75-28+810TP47  
1.75-68+410TP47  
1.75-108+TP47  
1.75-108+TP48



Mid-States Concrete Industries, 500 South Park Ave., South Beloit, IL 61080  
P/ 800.236.1072 P/ 815.389.2277 P/ 608.364.1072 | F/ 815.389.2339  
E/ info@msprecast.com | W/ www.msprecast.com



Expand your Freedom > Experience our Commitment  
Mid-States Concrete Industries