

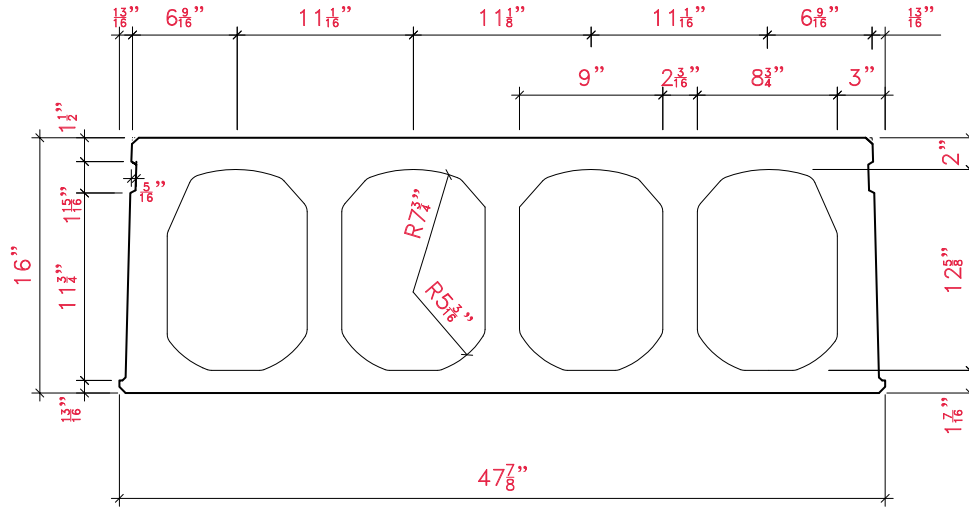


# Mid-States Concrete Industries

total precast CROSS SECTION & STRAND CONFIGURATIONS

16"X48" HOLLOWCORE

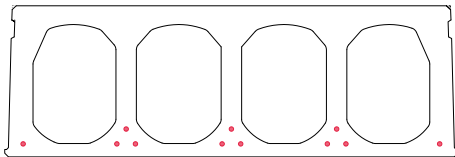
CROSS SECTION



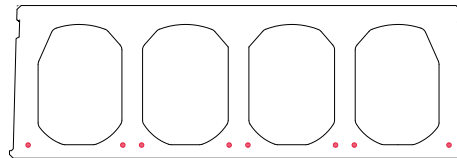
NOTES:

## STRAND CONFIGURATIONS

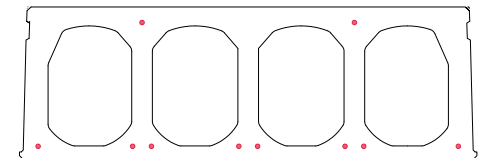
FOR INFORMATIONAL PURPOSES ONLY



1.75-28+910



1.75-28+610  
1.75-88



1.75-88TP28  
1.75-28+610TP28



Mid-States Concrete Industries, 500 South Park Ave., South Beloit, IL 61080

P/ 800.236.1072 P/ 815.389.2277 P/ 608.364.1072 | F/ 815.389.2339

E/ [info@msprecast.com](mailto:info@msprecast.com) | W/ [www.msprecast.com](http://www.msprecast.com)



Expand your Freedom > Experience our Commitment  
Mid-States Concrete Industries