

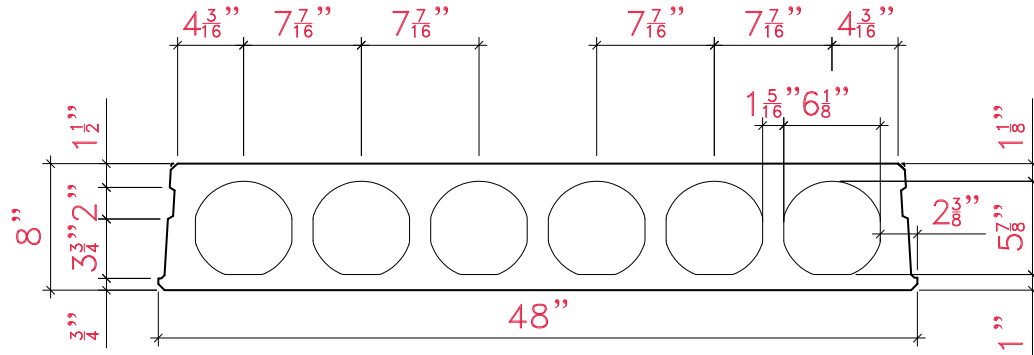


# Mid-States Concrete Industries

total precast CROSS SECTION & STRAND CONFIGURATIONS

**8"X48" HOLLOWCORE**

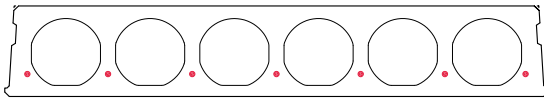
CROSS SECTION



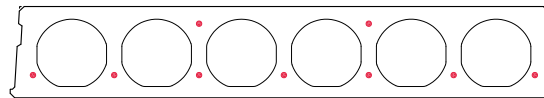
NOTES:

## STRAND CONFIGURATIONS

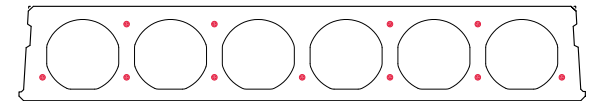
FOR INFORMATIONAL PURPOSES ONLY



1.75-77  
1.75-78  
1.75-28+510



1.75-77+TC27  
1.75-77+TP27  
1.75-78+TC27  
1.75-78+TP27  
1.75-28+510TC27  
1.75-28+510TP27



1.75-77+TP7  
1.75-77+TP48  
1.75-78+TP47  
1.75-28+510TP47  
1.75-28+510TP48

