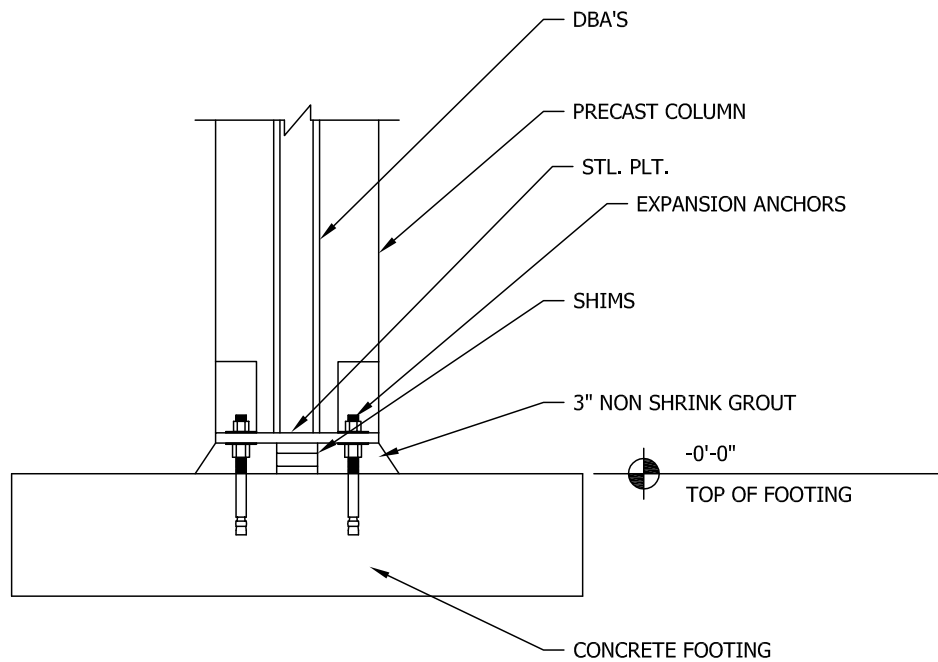


COLUMN TO FOOTING CONNECTION NON-INVERTED BASE PLATE

for informational purpose only

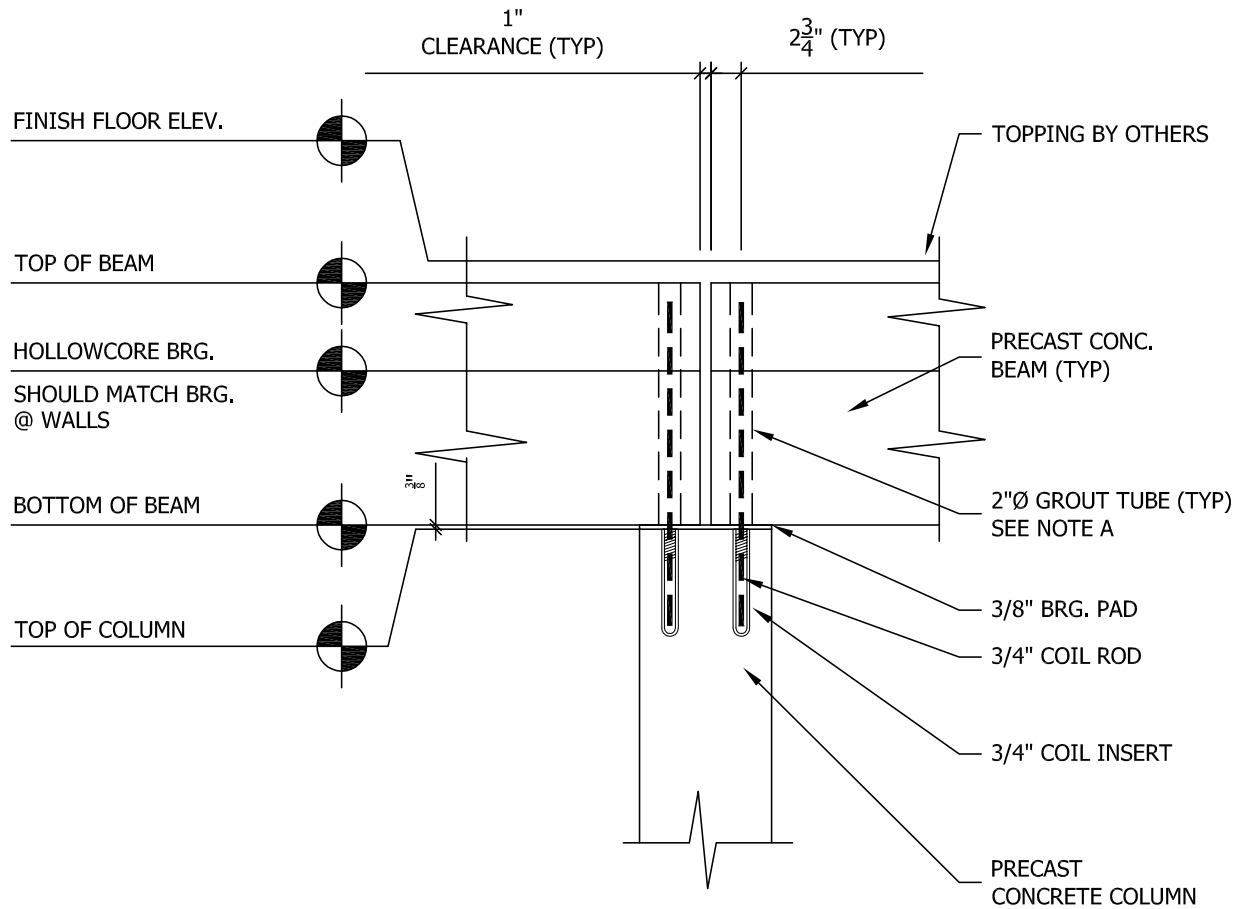




COLUMN TO FOOTING CONNECTION W/ INVERTED BASE PLATE

for informational purpose only





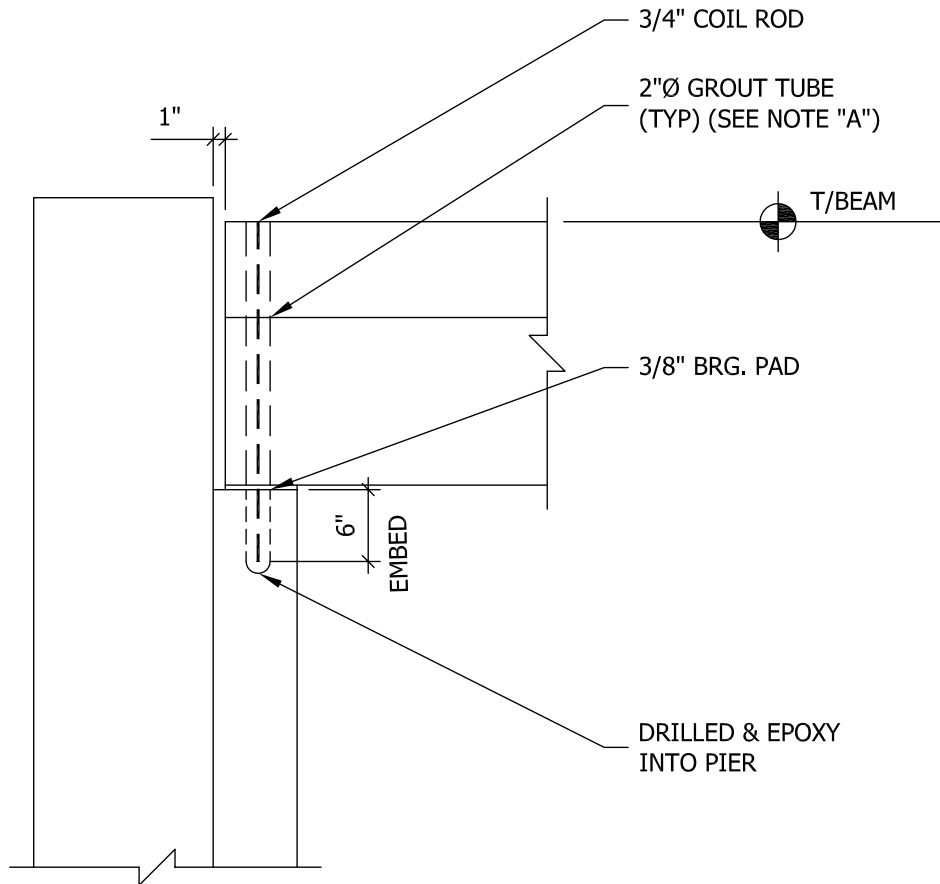
DOUBLE BEAM BEARING ON COLUMN

INSTALLATION NOTE "A":

GROUT TUBE TO BE MATED WITH 3/4" ϕ ROD. TUBE TO BE FILLED WITH 6" MIN. SAND. REMAINING TO BE GROUTED WITH CEMENT.

for informational purpose only





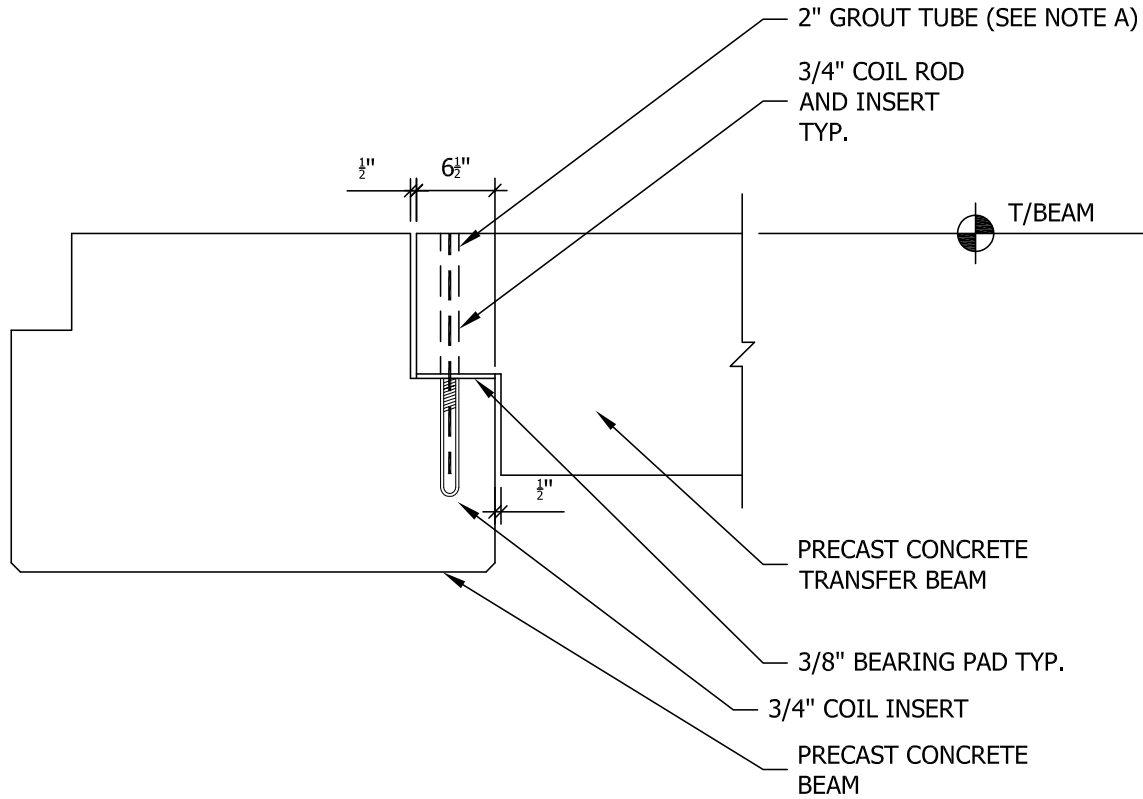
BEAM TO PIER CONNECTION

INSTALLATION NOTE "A":

GROUT TUBE TO BE MATED WITH 3/4" ϕ ROD. TUBE TO BE FILLED WITH 6" MIN. SAND. REMAINING TO BE GROUTED WITH CEMENT.

for informational purpose only





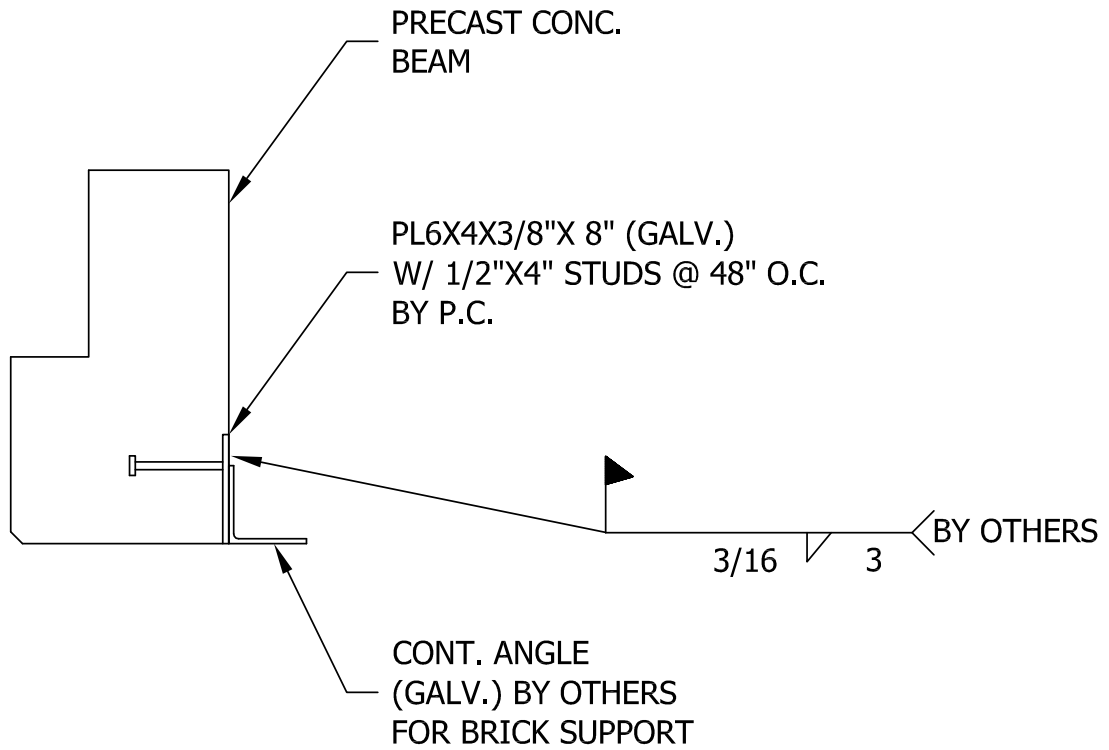
TRANSFER BEAM W/ DAP

INSTALLATION NOTE "A":

GROUT TUBE TO BE MATED WITH 3/4"Ø ROD. TUBE TO BE FILLED WITH 6" MIN. SAND. REMAINING TO BE GROUTED WITH CEMENT.

for informational purpose only

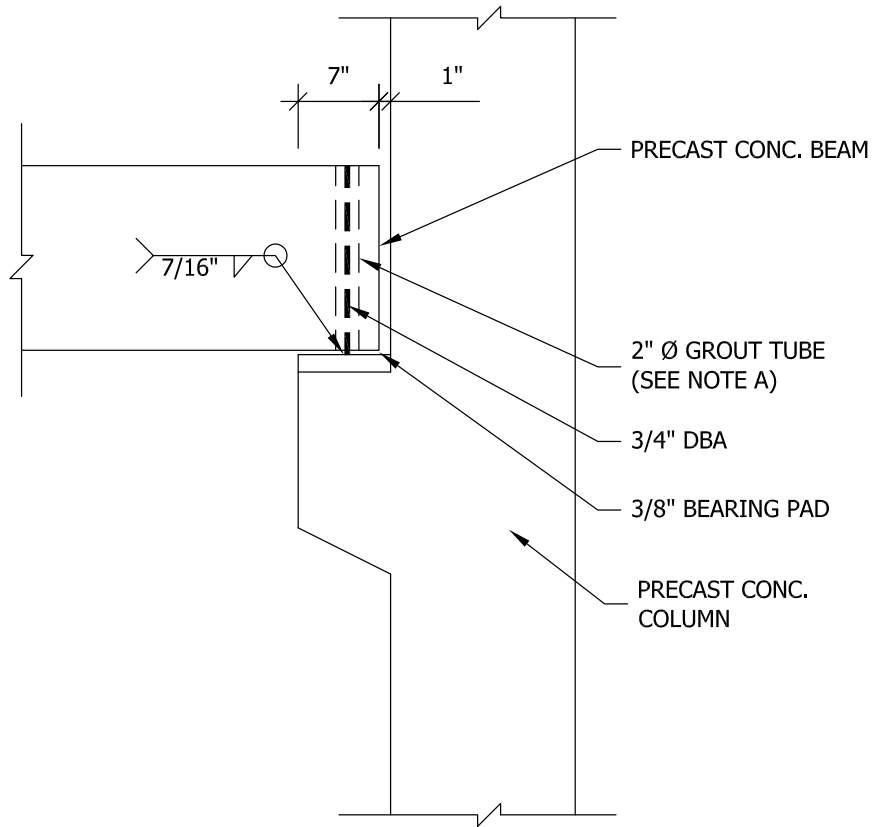




GARAGE DOOR BEAM DETAIL

for informational purpose only





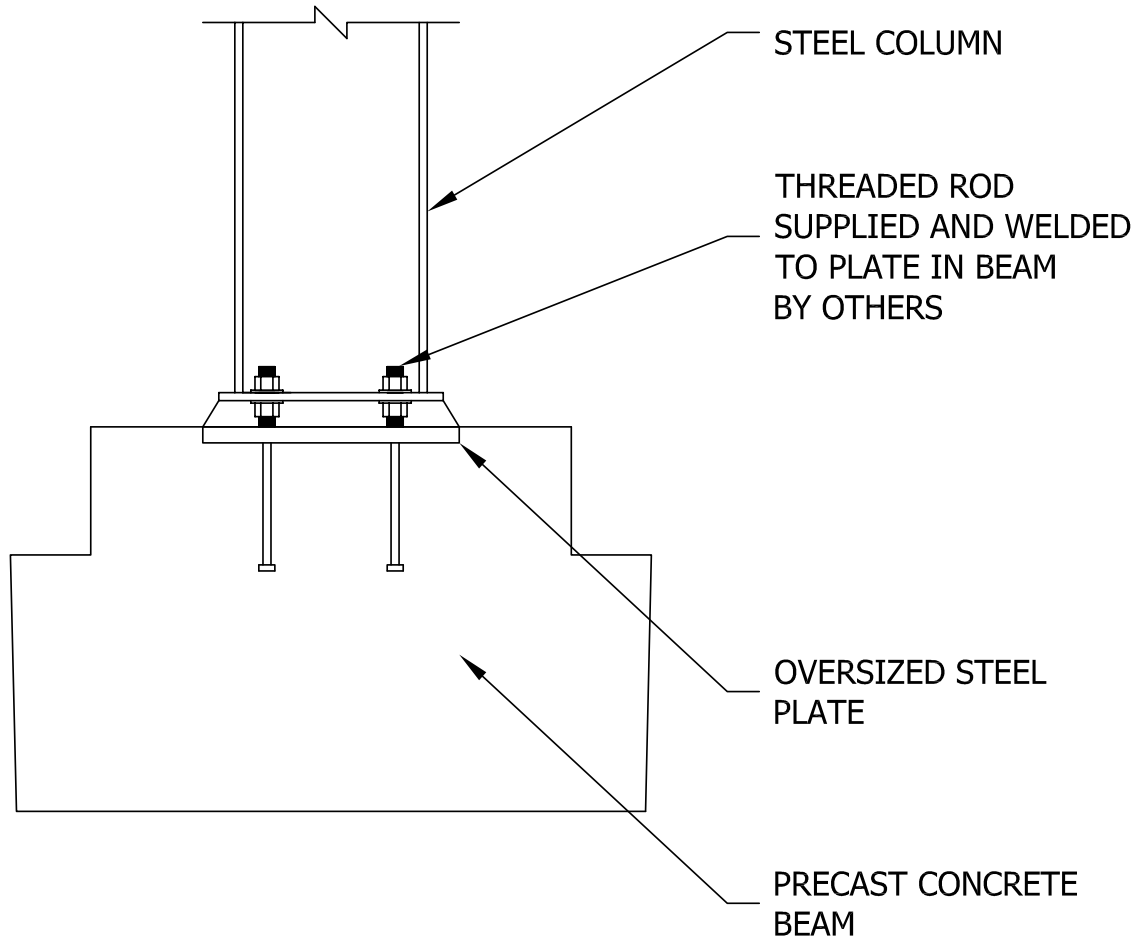
BEAM BEARING ON COLUMN W/ HAUNCH

INSTALLATION NOTE "A":

GROUT TUBE TO BE MATED WITH 3/4"Ø ROD. TUBE TO BE FILLED WITH 6" MIN. SAND. REMAINING TO BE GROUTED WITH CEMENT.

for informational purpose only





STEEL COLUMN TO PRECAST BEAM CONNECTION

for informational purpose only

