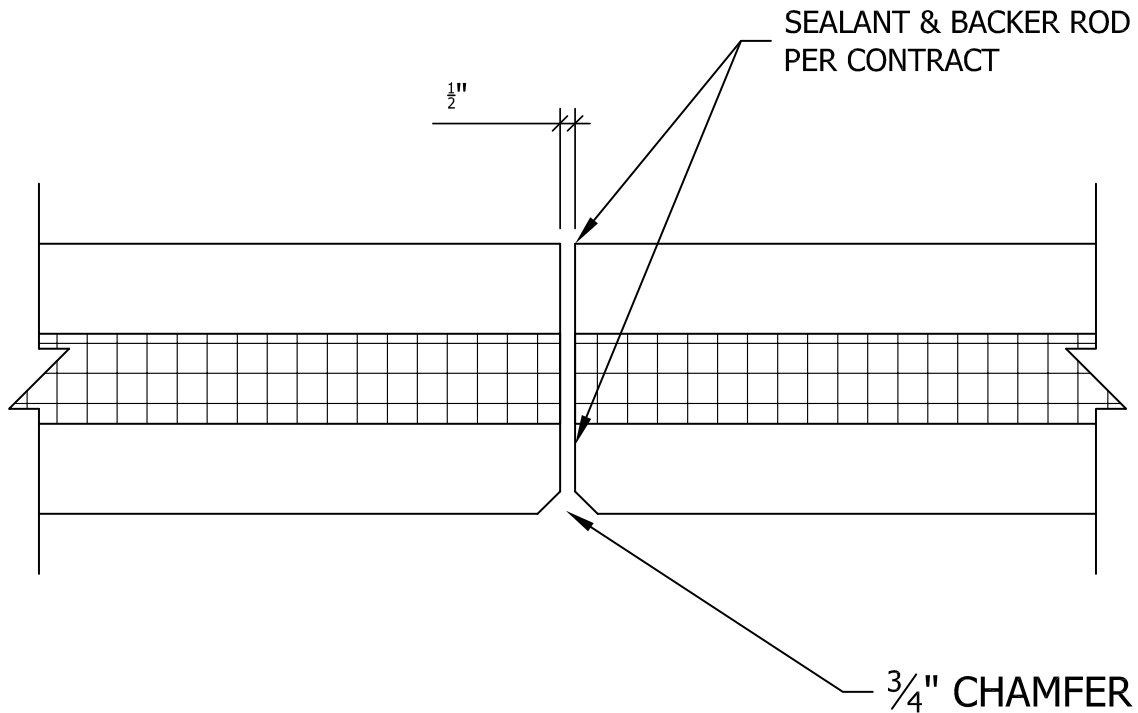




1" @ EXPANSION JOINT



VERTICAL JOINT W/ 3/4" CHAMFER

for informational purpose only

