



10" X 48" HOLLOWCORE

2" STRUCTURAL TOPPING
(4 HOUR FIRE RATING)

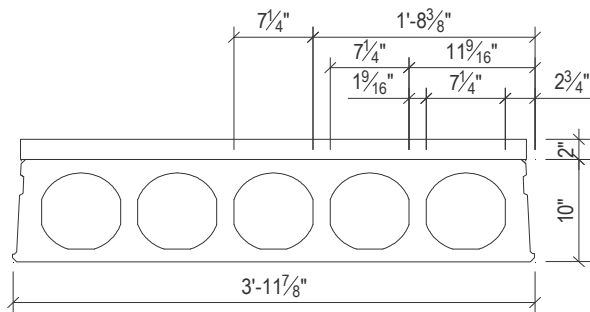
COMPOSITE DESIGN
SAFE LOAD TABLE

| Standard Designation | #/Size of 7-Wire strand | Strand Area Sq.In. | Mu in Ft.-Kips per unit | SIMPLE SPAN IN FEET-CENTER TO CENTER OF END BEARINGS | | | | | | | | | | | | | | | | | | | | | | | | | | | | | | | | | | |
|----------------------|-------------------------|--------------------|-------------------------|--|-----|-----|-----|-----|-----|-----|-----|-----|-----|-----|-----|-----|-----|-----|-----|-----|-----|-----|-----|-----|-----|-----|-----|-----|-----|----|----|----|----|----|----|----|----|--|
| | | | | 10 | 11 | 12 | 13 | 14 | 15 | 16 | 17 | 18 | 19 | 20 | 21 | 22 | 23 | 24 | 25 | 26 | 27 | 28 | 29 | 30 | 31 | 32 | 33 | 34 | 35 | 36 | 37 | 38 | 39 | 40 | | | | |
| 1.75-108 | 10-1/2 | 1.530 | 254.02 | | | | | | | | | | | | 415 | 389 | 366 | 345 | 326 | 293 | 262 | 234 | 209 | 188 | 168 | 150 | 134 | 120 | 107 | 95 | 84 | 74 | 65 | 57 | 49 | 42 | 35 | |
| 1.75-28410 | 2-1/2,4-.6 | 1.174 | 204.16 | | | | | 555 | 513 | 476 | 444 | 398 | 347 | 305 | 268 | 236 | 208 | 183 | 162 | 143 | 126 | 110 | 97 | 84 | 73 | 63 | 54 | 45 | 38 | 30 | 24 | | | | | | | |
| 1.75-68 | 6-1/2 | 0.918 | 165.05 | | 727 | 660 | 604 | 548 | 465 | 398 | 342 | 295 | 255 | 221 | 192 | 167 | 145 | 126 | 109 | 93 | 80 | 68 | 57 | 47 | 38 | 30 | 23 | | | | | | | | | | | |
| 1.75-67 | 6-7/16 | 0.690 | 127.79 | 807 | 694 | 568 | 471 | 393 | 331 | 279 | 237 | 202 | 171 | 146 | 124 | 104 | 88 | 73 | 60 | 49 | 38 | 29 | 21 | | | | | | | | | | | | | | | |
| | | | | | | | | | | | | | | | | | | | | | | | | | | | | | | | | | | | | | | |

UNIFORMLY DISTRIBUTED SUPERIMPOSED LOAD IN LBS. PER SQ. FT.

(Includes the live load plus dead load that is in addition to the weight of the grouted slabs in place and 2" topping.)

FOR LOADS & SPANS NOT SHOWN CONTACT MID-STATES CONCRETE INDUSTRIES



- 1- Dead Load, 97 psf grouted weight of structural unit.
- 2- Tabulated loads are based on ACI318-02 where $M_u = 1.4 M_d + 1.7 M_L$ and with all loads superimposed on the structural section considered as live load.
- 3- Camber is a result of the design rather than a design requirement. Heavy superimposed loads & / or long spans may cause excessive camber. Contact Mid-States Concrete Industries for more specific camber information.
- 4- Loads to the left of the solid stepped line are governed by shear.

HOLLOWCORE: F'c = 9000 psi, WEIGHT = 72 psf
GROUT: F'c = 5000 psi
Topping: F'c = 4000 psi, WEIGHT = 25 psf

