



MID-STATES
CONCRETE INDUSTRIES

500 South Park Avenue

South Beloit, IL 61080

800.236.1072

msprecast.com

03.31.17

8" X 48" HOLLOWCORE

2" STRUCTURAL TOPPING
(4 HOUR FIRE RATING)

COMPOSITE DESIGN
SAFE LOAD TABLE

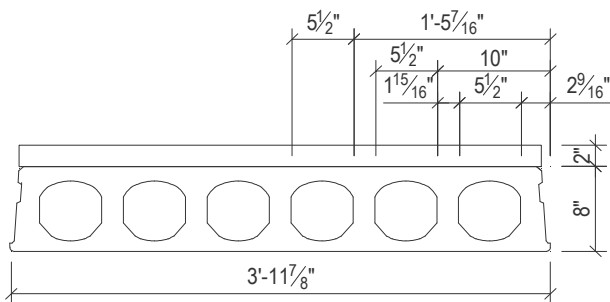
Standard Designation	#/Size of 7-Wire strand	Strand Area Sq.In.	Mu in Ft.-Kips per unit	SIMPLE SPAN IN FEET-CENTER TO CENTER OF END BEARINGS																																			
				10	11	12	13	14	15	16	17	18	19	20	21	22	23	24	25	26	27	28	29	30	31	32	33	34	35	36	37	38	39	40					
1.75-28510	2-1/2,5-.6	1.391	179.79									335	313	293	275	254	225	199	176	156	138	123	108	96	84	74	65	56	48	41	34	28	23						
1.75-78	7-1/2	1.071	145.84				458	421	389	360	319	276	240	209	182	159	138	121	105	91	79	68	58	49	41	33	27	20											
1.75-77	7-7/16	0.805	114.46			502	439	368	310	263	224	191	164	140	120	102	87	73	61	51	41	33	25																

UNIFORMLY DISTRIBUTED SUPERIMPOSED LOAD IN LBS. PER SQ. FT.

(Includes the live load plus dead load that is in addition to the weight of the grouted slabs in place and 2" topping.)

FOR LOADS & SPANS NOT SHOWN CONTACT MID-STATES CONCRETE INDUSTRIES

- 1- Dead Load, 87 psf grouted weight of structural unit.
- 2- Tabulated loads are based on ACI318-02 where $M_u = 1.4 M_d + 1.7 M_L$ and with all loads superimposed on the structural section considered as live load.
- 3- Camber is a result of the design rather than a design requirement. Heavy superimposed loads & / or long spans may cause excessive camber. Contact Mid-States Concrete Industries for more specific camber information.
- 4- Loads to the left of the solid stepped line are governed by shear.



HOLLOWCORE: F'c = 9000 psi, WEIGHT = 62 psf
 GROUT: F'c = 5000 psi
 Topping: F'c = 4000 psi, WEIGHT = 25 psf

